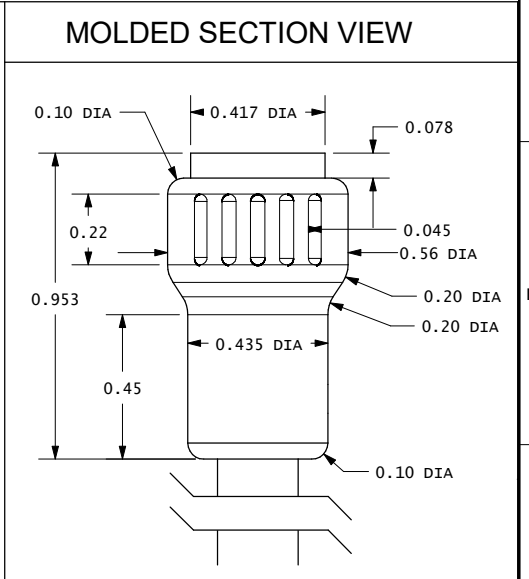
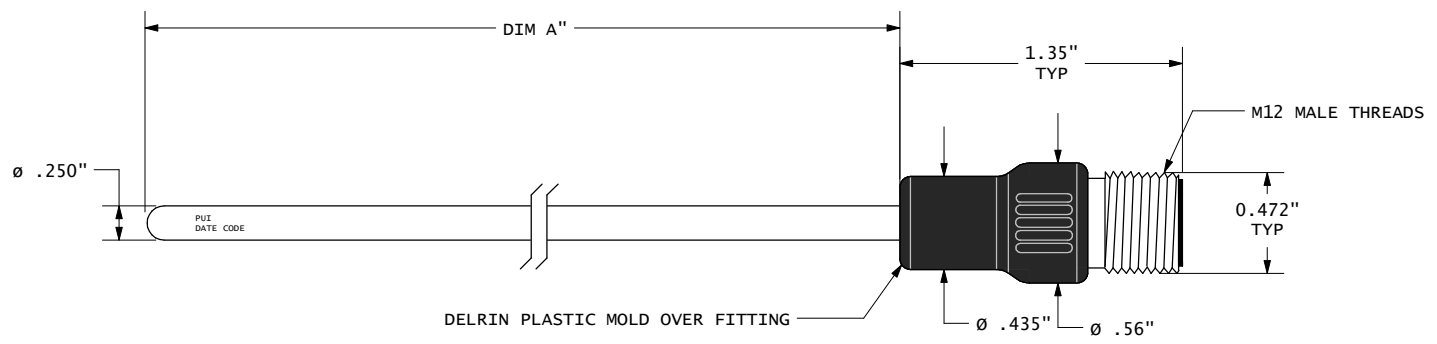


TABLE 1						TABLE 2				
PUI ITEM #	DIM A	DIM B	DIM C	NOTES:	CUSTOMER ITEM#	DWG REV	ECO NUMBER	REV BY	DATE	DESCRIPTION
P1000-21040106	6	N/A	N/A	ALL	TBD	X1	21040101	PSM	04/01/21	INITIAL DRAWING
P1000-21040112	12	N/A	N/A	ALL	TBD	X2	21072901	PSM	07/29/21	REV TO ADD NOTES AND PRODUCT PHOTO

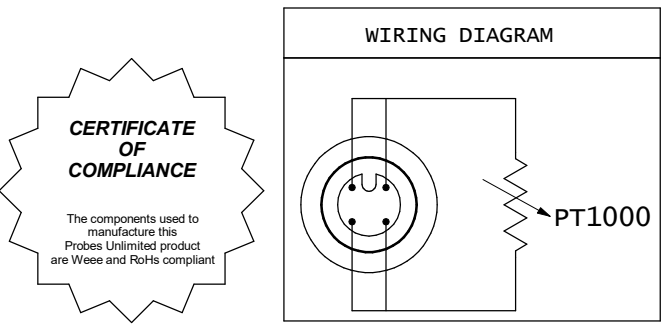
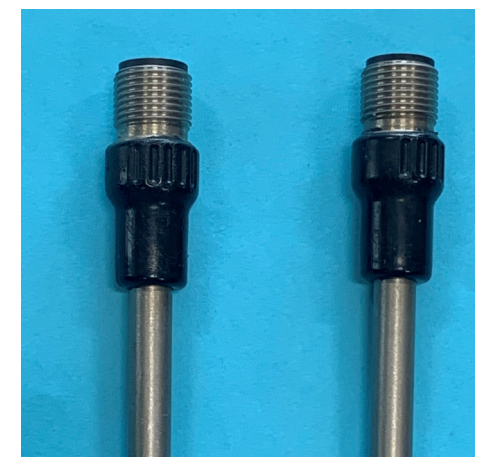


**PRELIMINARY DRAWING**

THIS DRAWING IS NOT FOR PRODUCTION USE OR SUBSTITUTION FOR ANY PART UNTIL FORMAL APPROVAL AND RELEASE.

°C	OHMS	°C	OHMS	°C	OHMS
0	1000.0	36	1139.9	72	1278.4
1	1003.9	37	1143.8	73	1282.2
2	1007.8	38	1147.7	74	1286.0
3	1011.7	39	1151.5	75	1289.8
4	1015.6	40	1155.4	76	1293.7
5	1019.5	41	1159.3	77	1297.5
6	1023.4	42	1163.1	78	1301.3
7	1027.3	43	1167.0	79	1305.1
8	1031.2	44	1170.8	80	1308.9
9	1035.1	45	1174.7	81	1312.7
10	1039.0	46	1178.5	82	1316.6
11	1042.9	47	1182.4	83	1320.4
12	1046.8	48	1186.2	84	1324.2
13	1050.7	49	1190.1	85	1328.0
14	1054.6	50	1194.0	86	1331.8
15	1058.5	51	1197.8	87	1335.6
16	1062.4	52	1201.6	88	1339.4
17	1066.3	53	1205.5	89	1343.2
18	1070.2	54	1209.3	90	1347.0
19	1074.0	55	1213.2	91	1350.8
20	1077.9	56	1217.0	92	1354.6
21	1081.8	57	1220.9	93	1358.4
22	1085.7	58	1224.7	94	1362.2
23	1089.6	59	1228.6	95	1366.0
24	1093.5	60	1232.4	96	1369.8
25	1097.3	61	1236.2	97	1373.6
26	1101.2	62	1240.1	98	1377.4
27	1105.1	63	1243.9	99	1381.2
28	1109.0	64	1247.7	100	1385.0
29	1112.8	65	1251.6	101	1388.8
30	1116.7	66	1255.4	102	1392.6
31	1120.6	67	1259.2	103	1396.4
32	1124.5	68	1263.1	104	1400.2
33	1128.3	69	1266.9	105	1403.9
34	1132.2	70	1270.7	106	1407.7
35	1136.1	71	1274.5	107	1411.5


- NOTES:
- 1) SENSOR: PT1000 THIN FILM RTD SENSOR, .00385 ALPHA, CLASS 'B' [ $\pm 0.12\%$ ] TYPICAL ACCURACY AT  $-95^{\circ}\text{C}$  IS  $\pm 0.8^{\circ}\text{C}$ , PER DIN 43760 IEC 751 SEE TABLE 3 FOR A PARTIAL RESISTANCE VS. TEMPERATURE CHART
  - 2) SHEATH: SS304/316, PLASMA WELDED CLOSED ONE END, COMMERCIAL GRADE FINISH
  - 3) CONSTRUCTION: SHEATH CONTAINS MOISTURE RESISTANT POTTING COMPOUND, DELRIN PLASTIC MOLDED OVER THE SHEATH AND FITTING
  - 4) LEADS: (4) 22 AWG, SILVER PLATED COPPER, 7/30 STRANDS, TEFLON INSULATED
  - 5) TERMINATION: M12 MALE 4 POSITIN CONNECTOR
  - 6) OPERATING TEMPERATURE:  $-40^{\circ}\text{C}$  TO  $+200^{\circ}\text{C}$  EXCEPT CONNECTOR  $-40^{\circ}\text{C}$  TO  $+85^{\circ}\text{C}$
  - 7) APPLICATION: IMMERSION PROBE
  - 8) IP67 RATED



**DWG NOT TO SCALE**

QUOTE #: Q21040101 SAMPLE DATE: TBD  
 CUSTOMER: TBD  
 APPROVED:

This drawing is the intellectual property of Probes Unlimited, Inc. It is not to be reproduced without the express written consent of Probes Unlimited, disclosure of this information is expressly prohibited. © Copyright 2021. by Probes Unlimited, Inc. all International Rights reserved.



Manufacturers of OEM Sensing Devices

Probes Unlimited, Inc.  
 836 W. 8th Street  
 Lansdale, PA 19446  
[www.probesunlimited.com](http://www.probesunlimited.com)  
[info@probesunlimited.com](mailto:info@probesunlimited.com)

DRAWING #: <b>P1000-302</b>	REV: <b>X2</b>
<p>ALL DIMENSIONS ARE IN INCHES, STANDARD TOLERANCES UNLESS STATED OTHERWISE:</p> <p>X.XX" = <math>\pm .12</math>"        X.XXX" = <math>\pm .062</math>"        ANGLES = <math>\pm 3^{\circ}</math></p>	